

connected gs3 retrofit kit.

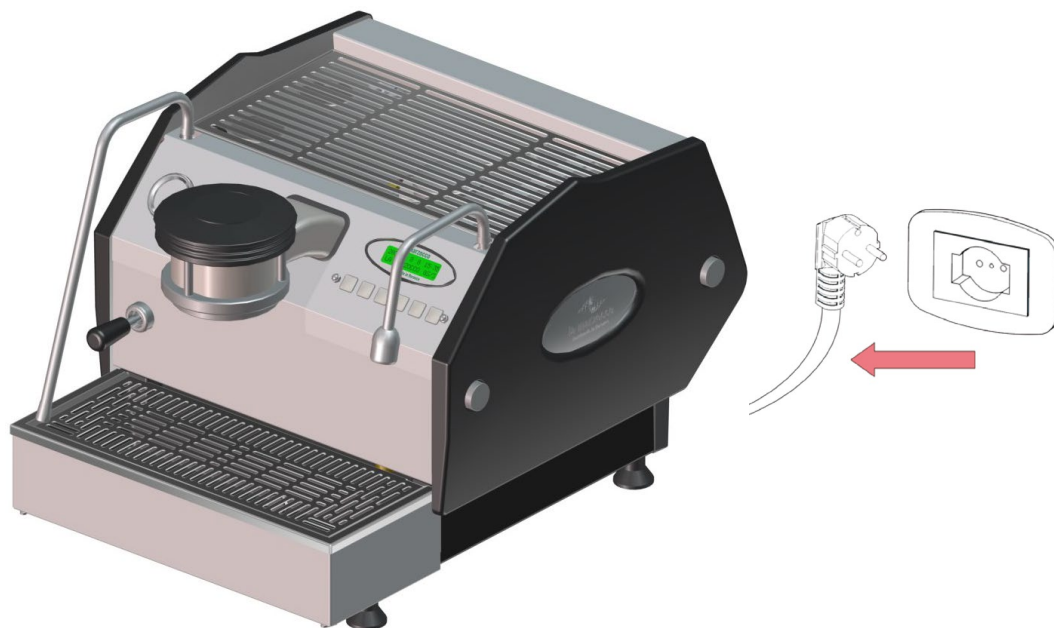


la marzocco

handmade in florence

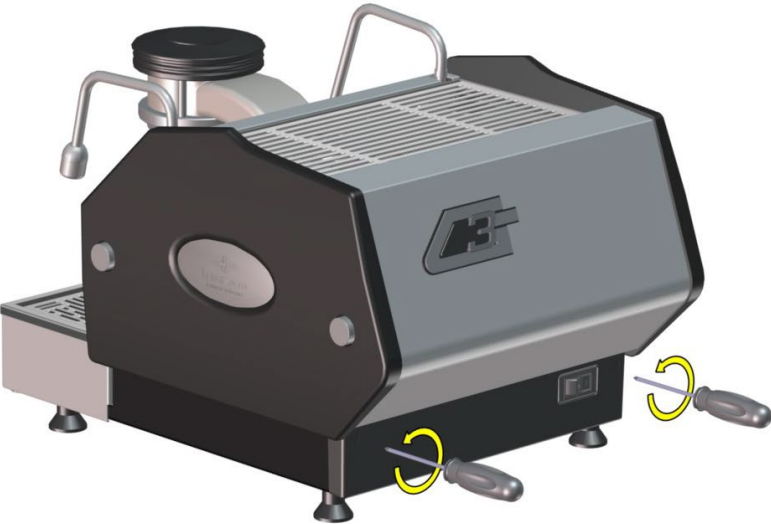
safety first!

BEFORE TO START, PLEASE MAKE SURE YOUR MACHINE IS DISCONNECTED FROM THE ELECTRICAL SUPPLY.



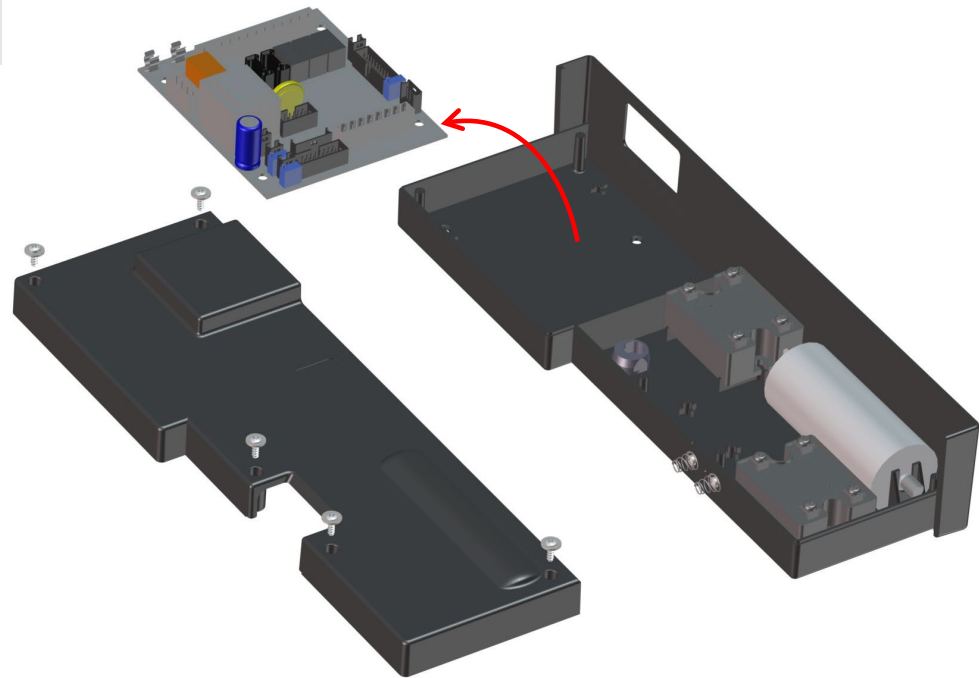
la marzocco
handmade in florence

remove the electronic box.



disconnect the board.

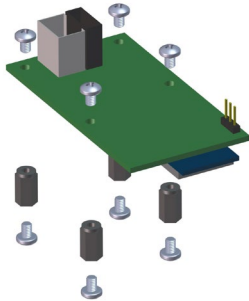
We recommend marking or labeling each wire before unplugging it to avoid incorrect connections when the new board is installed.



la marzocco
handmade in florence

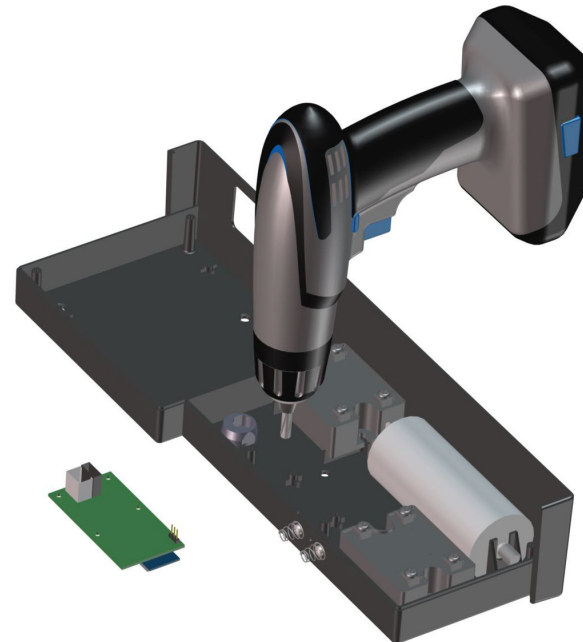
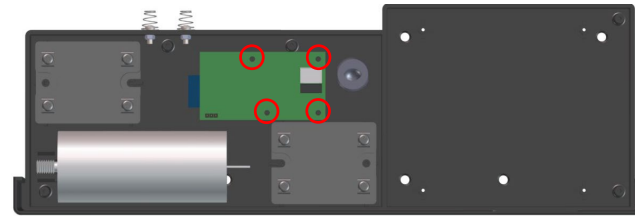
installing the new board.

The gateway board should be mounted on its plastic supports.



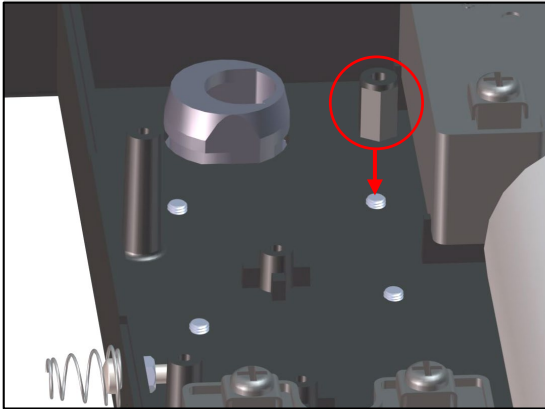
To fit it, you will have to drill four holes in to the electronic box. Please follow these steps:

1. First position the board the desired position (make sure it does not touch any other component) and use it as a template to mark the four holes on the electronic box.
2. Remove the board and drill them with a 2,5mm or 3mm drill bit.

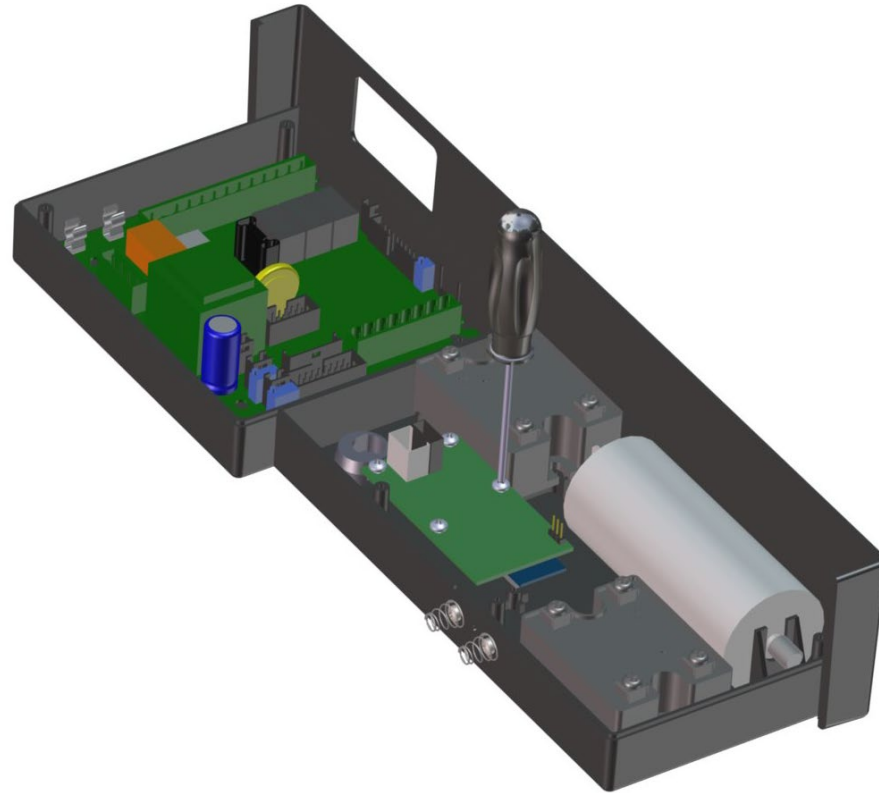


installing the new board.

Insert four M3 screws from the bottom, insert and hand-tighten the supports with the round side on top.



Place the board on the supports and secure it with the other four M3 screws provided.



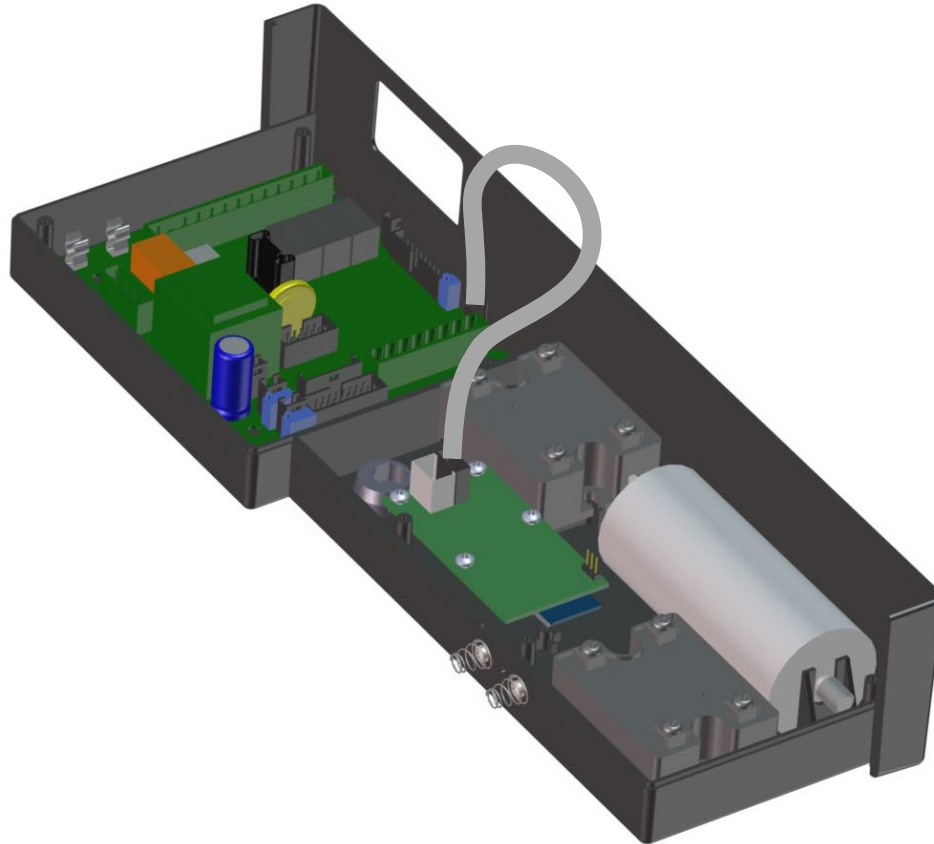
install the new main board.

Fit in the new main board and secure it with the previously removed screws.

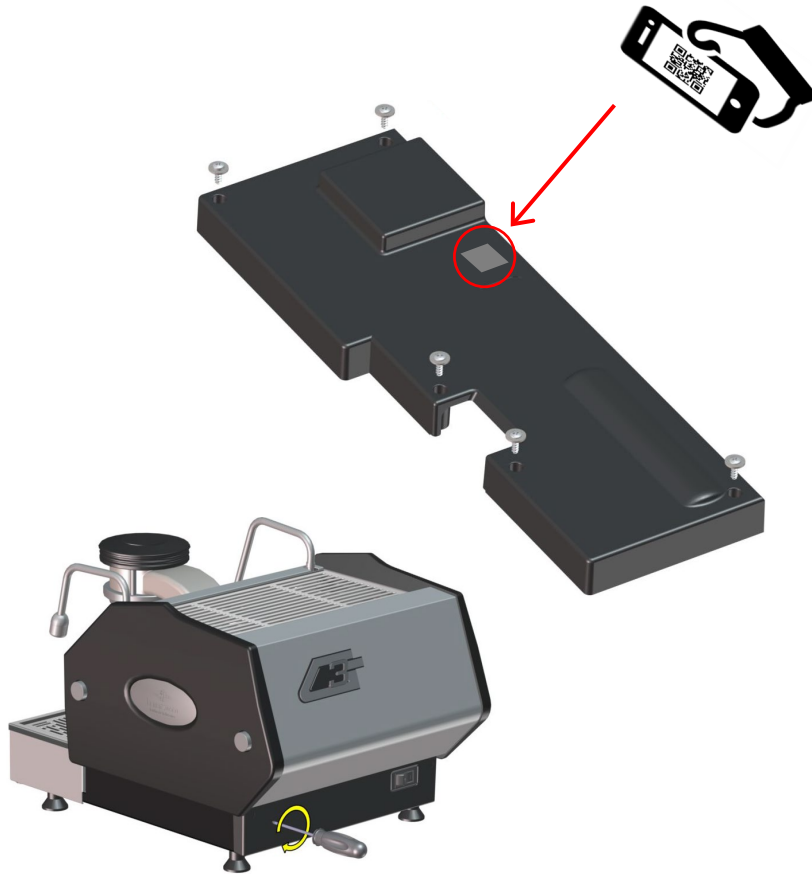
Re-connect all wires in the same position as before and connect the gateway board using the ribbon cable provided.

You should have found two QR-codes with the kit. Take them and save them for the next step.

The ribbon cable must connect CN8 on the main board to the black port on the gateway board.



stick the QR-code on the electronic box.



Stick one of the QR-codes on the electronic box and stick the other one in the inside of the black frame (alongside the water tank).

Contact us to get the APP TECH if you don't have it yet.

Open the app and point the QR-code with your smartphone camera. Now follow the instructions to activate online your kit, paying attention to insert the correct serial number of the machine as required.

Now you can reassemble the machine and plug it.

Follow the app's instructions step by step to complete the set up.



la marzocco

handmade in florence